


WARNING: RISK OF FIRE AND ELECTRICAL SHOCK. FIXTURE MUST BE INSTALLED BY A QUALIFIED ELECTRICIAN ONLY IN ACCORDANCE WITH NATIONAL, LOCAL BUILDING AND ELECTRICAL CODES. DISCONNECT POWER AT ELECTRICAL PANEL BEFORE SERVICING.



14119 INSTALLATION INSTRUCTIONS FOR: 3-INCH MINI RECESSED LED DOWNLIGHT

Please read all instructions prior to installation and keep for future reference!

- Read All Instructions: Thoroughly review all instructions before beginning installation.
- Compliance: Install the fixture in accordance with national and local electrical code regulations.
- Professional Installation: This product should be installed and serviced by a qualified, licensed electrician.
- Location: Install only in dry or damp locations; do not install in wet areas.
- Power Off: Ensure electrical power is turned off before installing or servicing the fixture.
- Wiring Protection: Prevent wiring damage or abrasion by keeping wires away from sharp edges or sheet metal.
- Connection Security: To reduce the risk of fire and overheating, ensure all connections are tight.
- No Insulation Coverage: Do not cover the lighting fixture with heat insulation or similar materials.
- Proper Installation: Install these kits only in luminaires that match the construction features and dimensions shown in the provided photographs and/or drawings, and where the retrofit kit's input rating does not exceed the luminaire's input rating.
- Avoid Alterations: Do not create or modify open holes in the enclosure of wiring or electrical components during installation.
- Regulatory Compliance: This retrofit kit is accepted as a component of a luminaire, and its suitability must be determined by the relevant authorities.
- Inspect Parts: Check all parts that are not intended to be replaced by the retrofit kit for damage and replace any damaged parts before installing the retrofit kit.



NEW CONSTRUCTION

Accessories:

1. Engine
2. LED Driver Box (New Construction)
3. Reflector
4. Trim
5. Wire nut(s)
6. User manual
7. Housing

RETROFIT

Accessories:

1. Engine
2. LED Driver Box (Retrofit)
3. Reflector
4. Trim
5. Wire nut and Quick connector
6. User manual

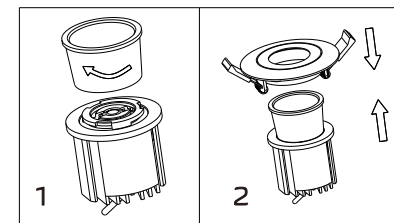
Table (A)

Trim Style	Opening Size Reference
Round	2.95" ~ 3.03" (Round hole)
Round adjustable	
Square adjustable	
Square	2.95" ~ 3.03" (Square hole)

Note: The recessed kit is voltage-specific. Please verify the correct voltage before installation.

When the trim, reflector, and engine are separate, follow these steps to assemble the downlight:

1. **Attach Reflector and Engine:** Connect the reflector to the engine and secure them tightly by rotating clockwise.
2. **Attach Reflector and Trim:** Press the reflector and trim together and ensure they are securely fastened.



WARNING: RISK OF FIRE AND ELECTRICAL SHOCK. FIXTURE MUST BE INSTALLED BY A QUALIFIED ELECTRICIAN ONLY IN ACCORDANCE WITH NATIONAL, LOCAL BUILDING AND ELECTRICAL CODES. DISCONNECT POWER AT ELECTRICAL PANEL BEFORE SERVICING.

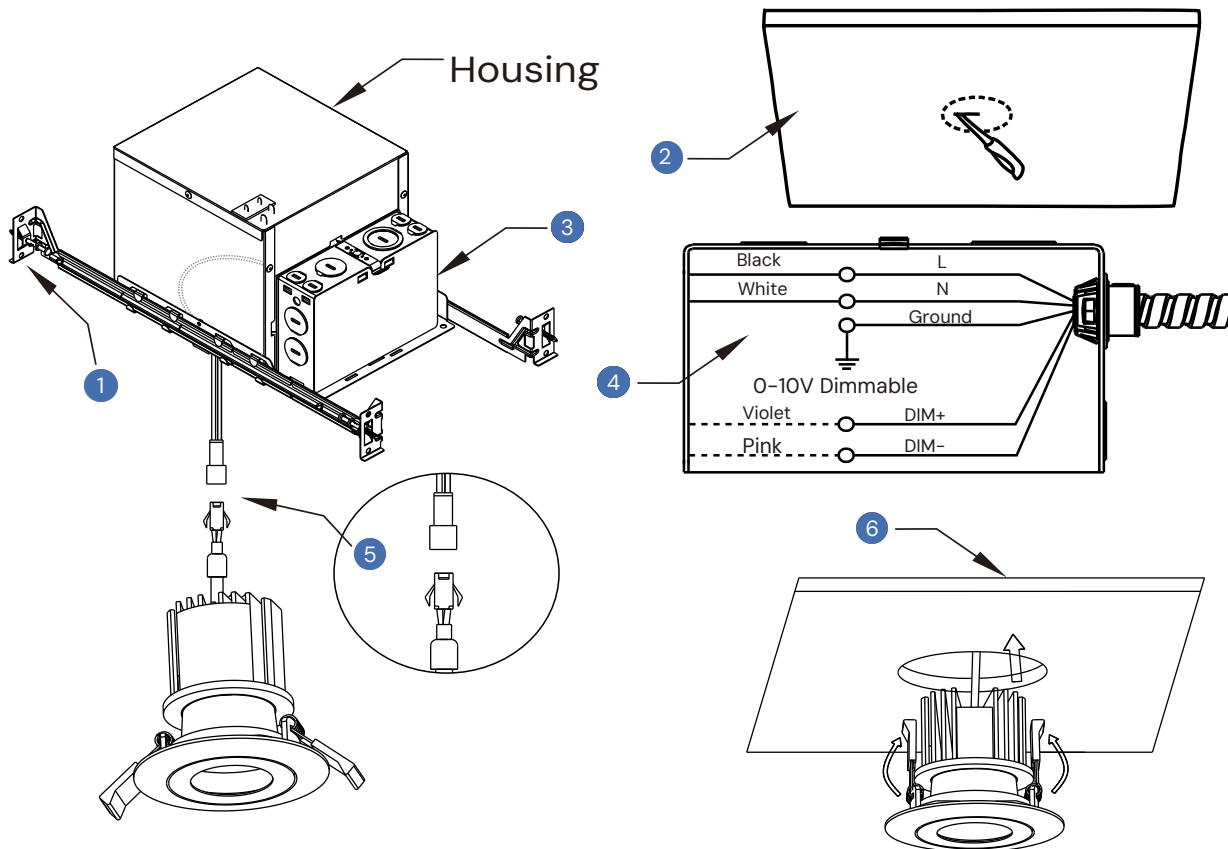
Installation For New Construction Applications:

Step 1: Locate the fixture position. Install the fixture in the ceiling using the two supplied hanger bars **1**. Ensure the fixture's weight is supported by the hanger bars, mounting channel, bar, and/or hanger wires secured to the building structure. Drill a hole in the drywall **2** according to the dimensions specified in Table A.

Step 2: Open the junction box **3** **4** and connect the power supply and ground wires according to the wiring diagram. If the driver includes 0-10V dimming, also connect the dimming wire.

Step 3: Connect the LED downlight to the housing using the provided quick-connectors **5**

Step 4: Finalize the installation by securely tightening the spring clips through the ceiling opening **6**



WARNING: RISK OF FIRE AND ELECTRICAL SHOCK. FIXTURE MUST BE INSTALLED BY A QUALIFIED ELECTRICIAN ONLY IN ACCORDANCE WITH NATIONAL, LOCAL BUILDING AND ELECTRICAL CODES. DISCONNECT POWER AT ELECTRICAL PANEL BEFORE SERVICING.

Installation For Retrofit Applications:

Step 1: Drill a hole in the ceiling according to the opening size specified in Table A (OSR).

Step 2: Plug the AC power cord into Quick Connector A. If the driver includes 0-10V dimming, also connect Quick Connector B. Match and plug the male connector into the female connector. Connect the ground wire **2**

Step 3: Connect the LED downlight to the housing using the provided quick-connectors **3**. Secure the wires with screws to ensure a tight connection **4**. Mount the driver box securely on top of the ceiling grid.

Step 4: Finalize the installation by tightening the spring clips through the ceiling opening **5**

